

R/G/F10、 20、 30 glass spinner flowmeter

SUMMARY

G/R/F10, 20, 30 glass spinner flowmeter has three types of connection, they are pipe thread (G10, 20, 30 types), hose pipe (R10, 20 series glass spinner flowmeters in same bore). It's divided into conventional type (Measuring general noncorrosive fluid) and corrosion resistant type (Measuring corrosive fluid.). The meter is featured with compactness, light structure, nice looking, convenient maintenance, safe and reliability, easy installation. The flange of F10, 20, 30 types can rotate to be aligned with the pipe holes on the spot vessel.

G/R/F10, 20, 30 glass spinner flowmeters can substitute the glass spinner flowmeters installed on the complete production lines imported, are widely used in chemical industry, light industry, pharmacy, food industry, papermaking, environment protection, measuring, testing and scientific research institutes etc. to measure the flow rate of single-phase non pulse fluid (liquid or gas).



The profile and edge-linked dimensions

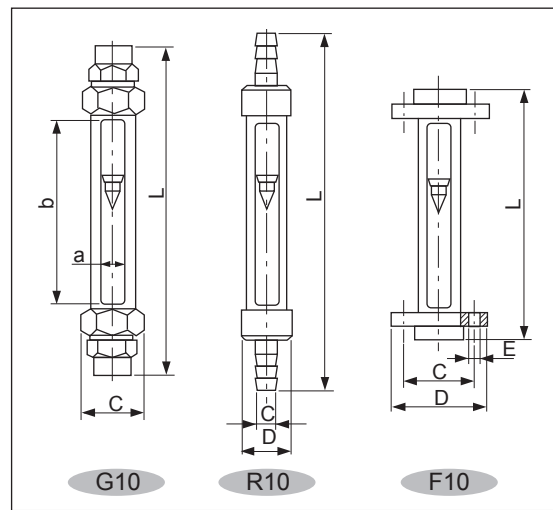


Fig.1

Bore DN	Window size a × b	G10		R10			F10				
		L	C	Pipe thread	L	C	D	L	C	D	E
DN15	26 × 230	408	52	G1/2"	400	∅17	∅43	310	∅65	∅95	4-∅14
				*G3/8"							
				*NPT1/2							
DN25	32 × 230	414	75	G1"	450	∅27	∅60	310	∅85	∅115	4-∅14
				*G3/4"							
				*NPT1							
DN40	40 × 230	424	92	G1 1/2"	450	∅44	∅78	310	∅110	∅145	4-∅18
				*NPT1 1/2							
DN50	50 × 230	426	116	G2"	450	∅54	∅98	310	∅125	∅160	4-∅18
				*NPT2							

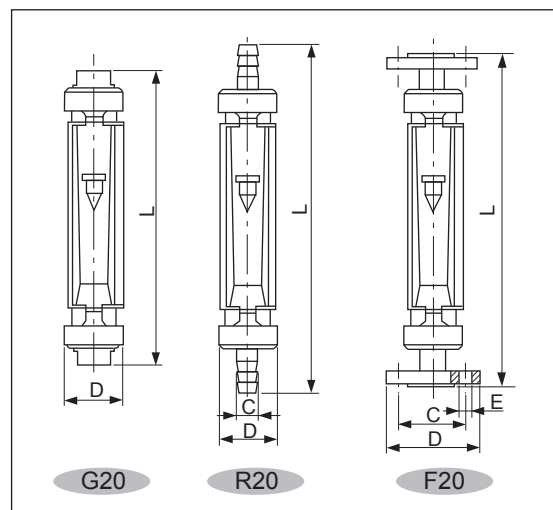


Fig.2

Bore DN	G20		R20			F20				
	L	D	Pipe thread	L	D	C	L	D	C	E
DN15	375	∅58	G1/2"	400	∅58	∅17	425	∅95	∅65	4-∅14
			*G3/8"							
			*NPT1/2							
DN25	375	∅74	G1"	450	∅74	∅27	425	∅115	∅85	4-∅14
			*G3/4"							
			*NPT1							
DN40	375	∅92	G1 1/2"	450	∅92	∅44	425	∅145	∅110	4-∅18
			*NPT1 1/2							
DN50	375	∅112	G2"	450	∅112	∅54	425	∅160	∅125	4-∅18
			*NPT2							

Note: Scale plate can be added.

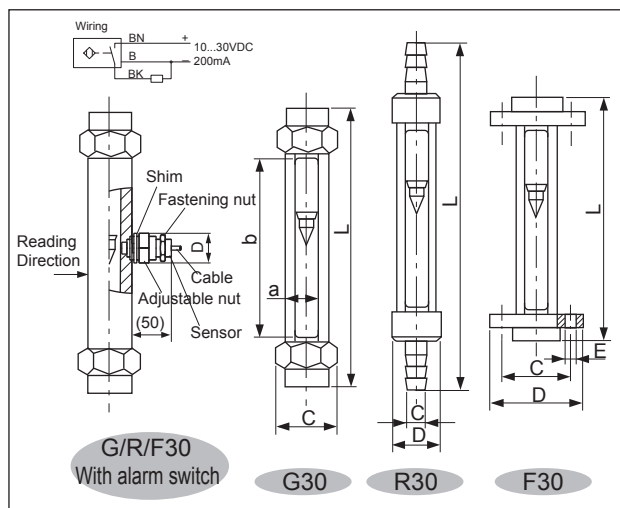


Fig.3

Bore DN	Window size a × b	G30		R30			F30				
		L	C	Pipe thread	L	C	D	L	C	D	E
DN15	28 × 230	375	52	G1/2"	400	∅17	∅43	310	∅65	∅95	4-∅14
				*G3/8"							
				*NPT1/2							
DN25	32 × 230	375	75	G1"	450	∅27	∅60	310	∅85	∅115	4-∅14
				*G3/4"							
				*NPT1							
DN40	45 × 230	375	92	G1 1/2"	450	∅44	∅78	310	∅110	∅145	4-∅18
				*NPT1 1/2							
DN50	55 × 230	375	116	G2"	450	∅54	∅98	310	∅125	∅160	4-∅18
				*NPT2							

Note: Flange standard is JB81-94, ANSI-150LB/300LB can be chosen as options. If adopting the sizes with , please state them separately.

Types and technical parameters

Bore DN (mm)	Conventional type	Corrosion resistant type	Measuring range		Pressure loss (pa)	State of the fluid allowed		Accuracy class
			Water(20℃)L/h	Air (20℃/101325Pa)m³/h		Pressure (MPa)	Temperature (℃)	
15	G10/20/30-15 R10/20/30-15 F10/20/30-15	G10/20/30-15F R10/20/30-15F F10/20/30-15F	10 ~ 100	0.3 ~ 3	1200	< 1.0	-20 ~ +120	2.5
			16 ~ 160		1700			
			25 ~ 250		2000			
			40 ~ 400		2500			
25	G10/20/30-25 R10/20/30-25 F10/20/30-25	G10/20/30-25F R10/20/30-25F F10/20/30-25F	63 ~ 630	2 ~ 20	2800	< 0.9	-20 ~ +120	2.5
			100 ~ 1000		4000			
			160 ~ 1600		5000			
			250 ~ 2500		6000			
40	G10/20/30-40 R10/20/30-40 F10/20/30-40	G10/20/30-40F R10/20/30-40F F10/20/30-40F	160 ~ 1600	5 ~ 50	3400	< 0.7	-20 ~ +120	2.5
			250 ~ 2500		4000			
			400 ~ 4000		5000			
50	G10/20/30-50 R10/20/30-50 F10/20/30-50	G10/20/30-50F R10/20/30-50F F10/20/30-50F	400 ~ 4000	12 ~ 120	4800	< 0.7	-20 ~ +120	2.5
			630 ~ 6300		6500			
			1000 ~ 10000		8500			

Note: 1. The pressure of the media in the flowmeter, for the liquid, shall be at least two times of the loss of pressure, for the gas, must exceed 5 times of pressure loss.
2. Accuracy class shall be 1.5 and be noted in the order.
3. The maximal flow of corrosion resistant tetrafluorethylene floater is one class lower than the conventional type.

The material of the parts touching the fluid measured

Material / Model	G10 - ()	G10 - ()F	R10 - ()	R10 - ()F	F10 - ()	F10 - ()F
	Spare parts	G20 - ()	G20 - ()F	R20 - ()	R20 - ()F	
Floater	1Cr18Ni9Ti Stainless Steel		1Cr18Ni9Ti Stainless Steel		1Cr18Ni9Ti Stainless Steel	
Upper, Lower stop	Nylon	Fluoroplastics	Nylon	Fluoroplastics	Nylon	Fluoroplastics
Seals	Nitrile butadiene rubber	Fluorine rubber	Nitrile butadiene rubber	Fluorine rubber	Nitrile butadiene rubber	Fluorine rubber
Pipe thread joint	Carbon steel (Zinc plating)	1Cr18Ni9Ti Stainless Steel	_____			
Joint base	Aluminum(G20)	1Cr18Ni9Ti Stainless Steel	_____			
Hose joint	_____		Aluminum	1Cr18Ni9Ti Stainless Steel	_____	
Flange joint	_____		_____		Aluminum	1Cr18Ni9Ti Stainless Steel

Note: If other special material is needed, please state it separately.